

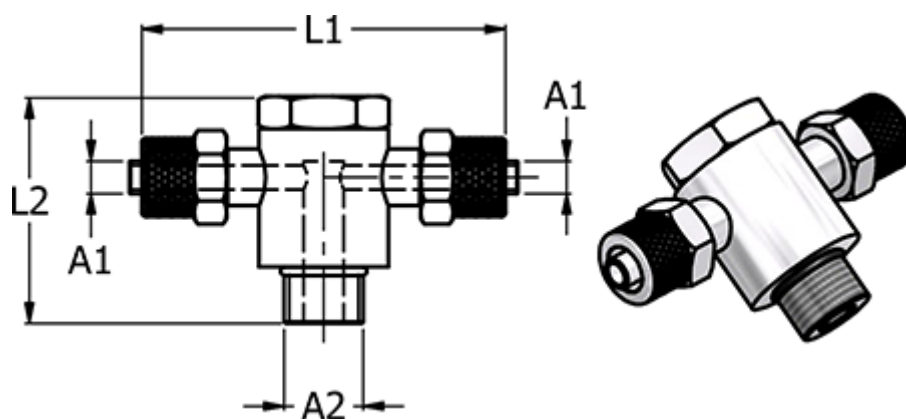
Data Sheet



Article number: 5861423812

Description: Push-on fitting 14.238-12, metal $\text{Ø}12/10\text{-G } 3/8\text{'-}\text{Ø}12/10$
Banjo Tee

Measures



Hose diameter A1	= 12/10
L1	= 64.0
L2	= 38.0
NV	= 24
Thread A2	= G 3/8"